

# Installation Instructions

## Toyota Corolla Verso

Under Run Protective Shield engine bay and transmission case



Model Year:	2005
Vehicle Code:	ZGR20L-GWFDPW ZGR21L-GWXDPW ZGR21L-GWFEPW ZGR21L-GWXEPW ZGR21L-GWXEPW
Part Number:	PZ4AL-07430-00



Weight: 29.3 kg

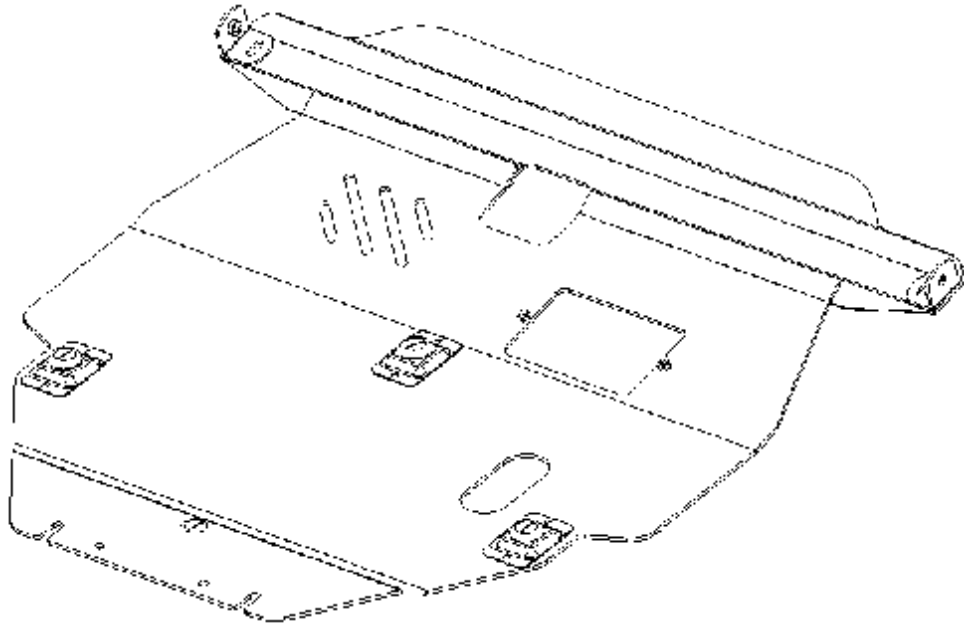


Installation Time: 20 min

Manual reference number: AIM 000-862-1

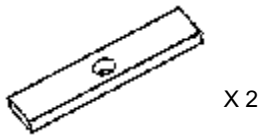
Part number: PZ4AL-07430-00

**A**



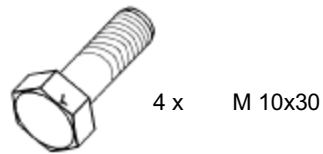
PZ4AL-07430-60

**B**



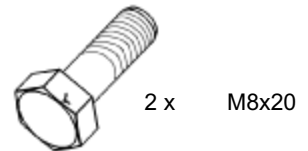
X 2

**C1**



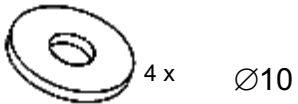
4 x M 10x30

**C2**



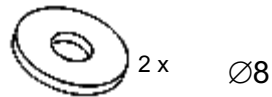
2 x M8x20

**D1**



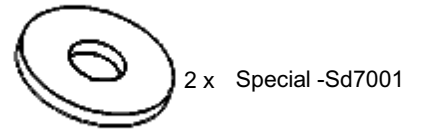
4 x Ø10

**D2**

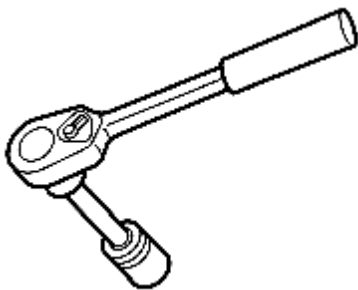


2 x Ø8

**D3**



2 x Special -Sd7001



Part number:  
PZ4AL- 07430- 00

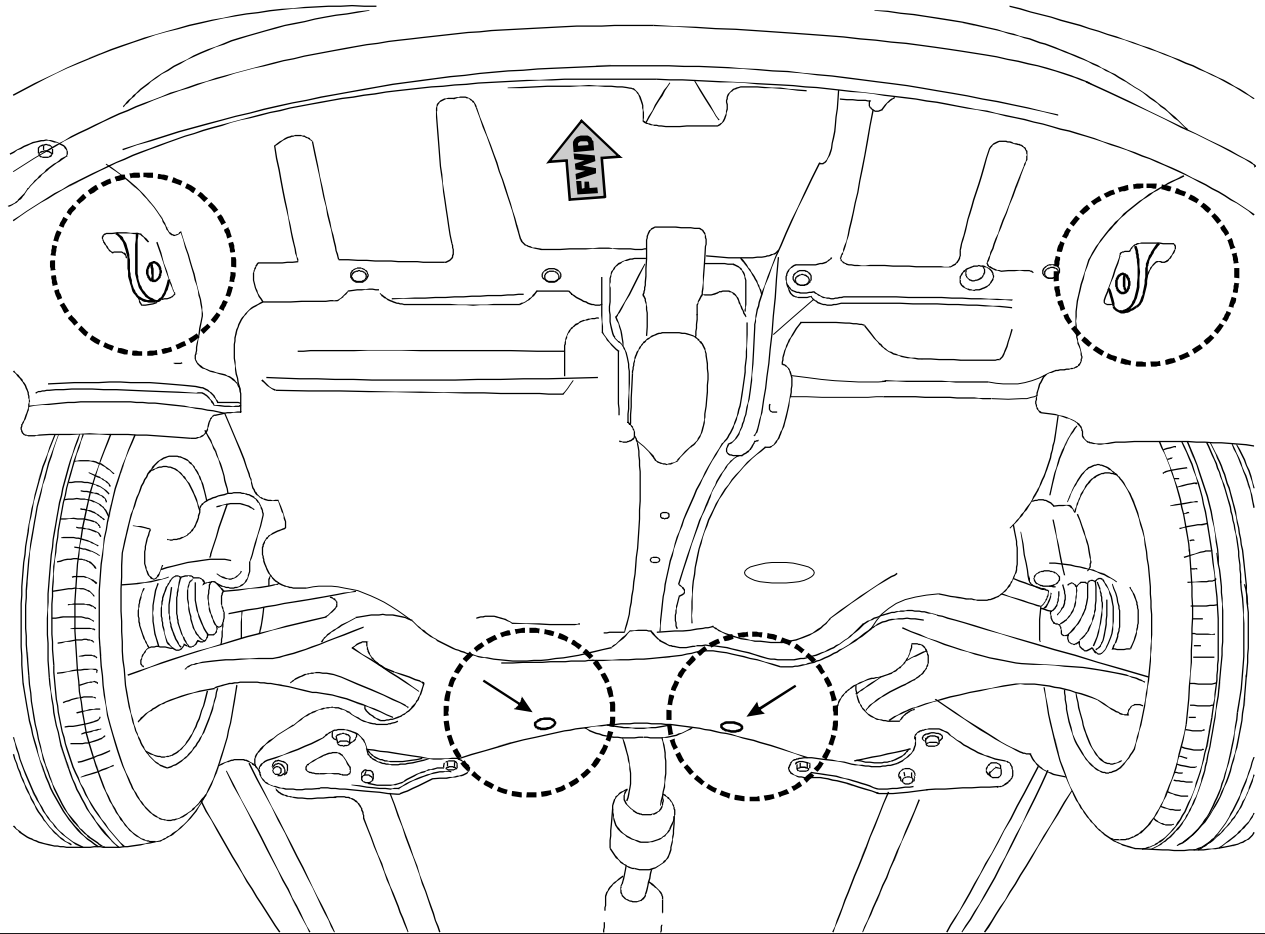
Issue:  
0

Date:  
19/12/06

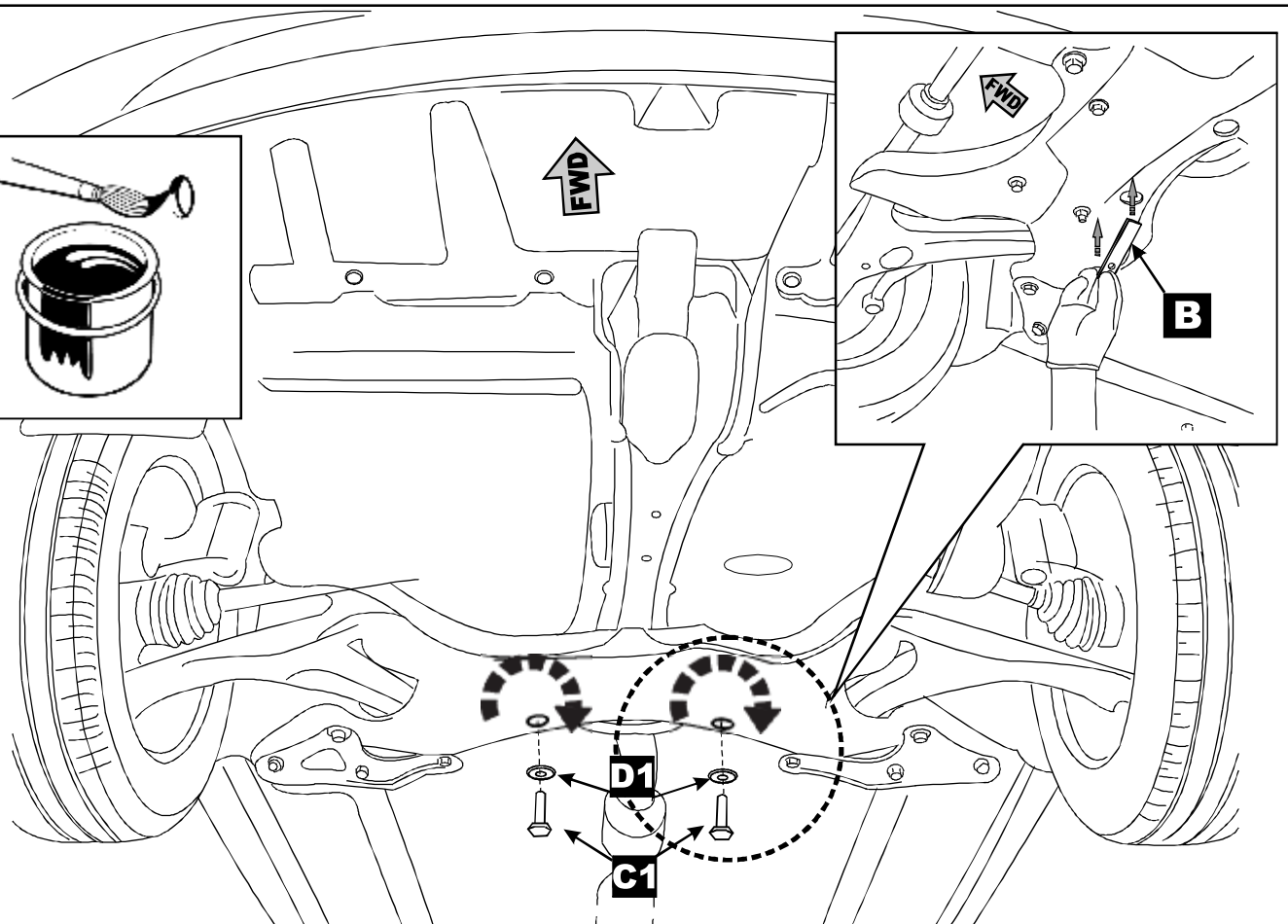
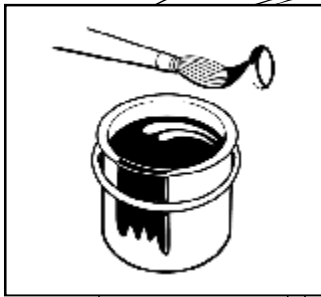
Manual reference number:  
AIM 000-862-1

Page:  
2/4

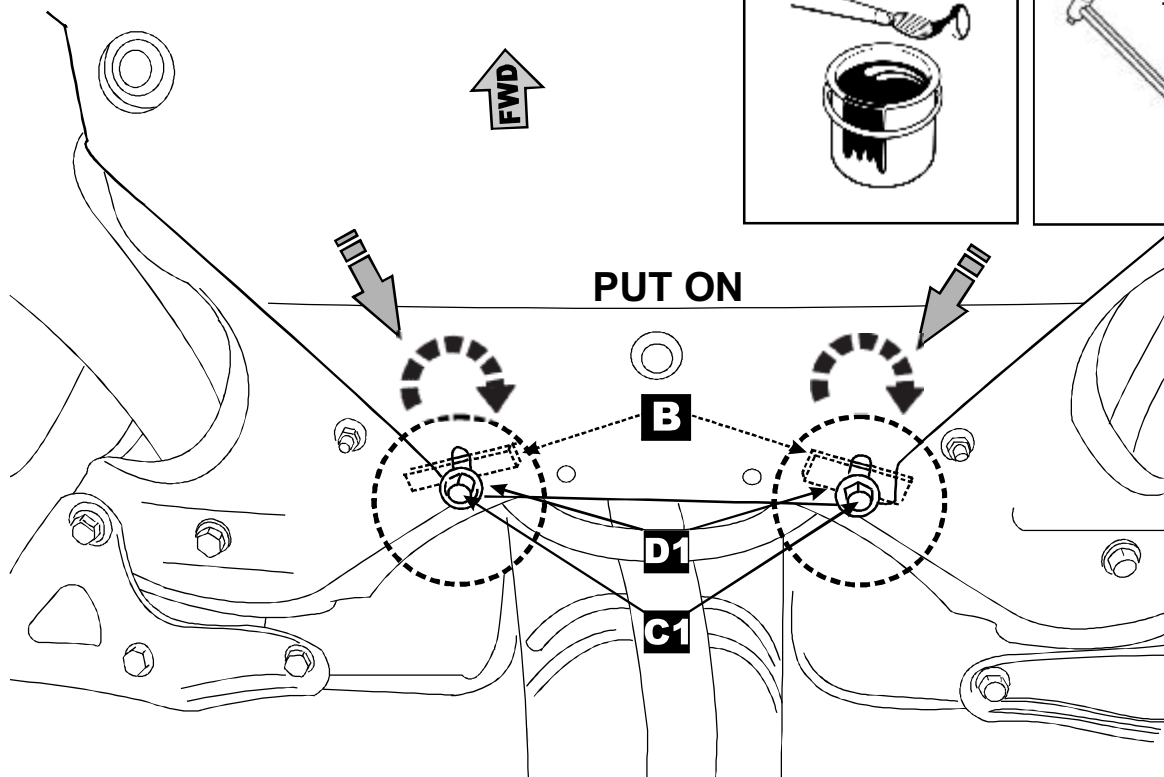
**1**



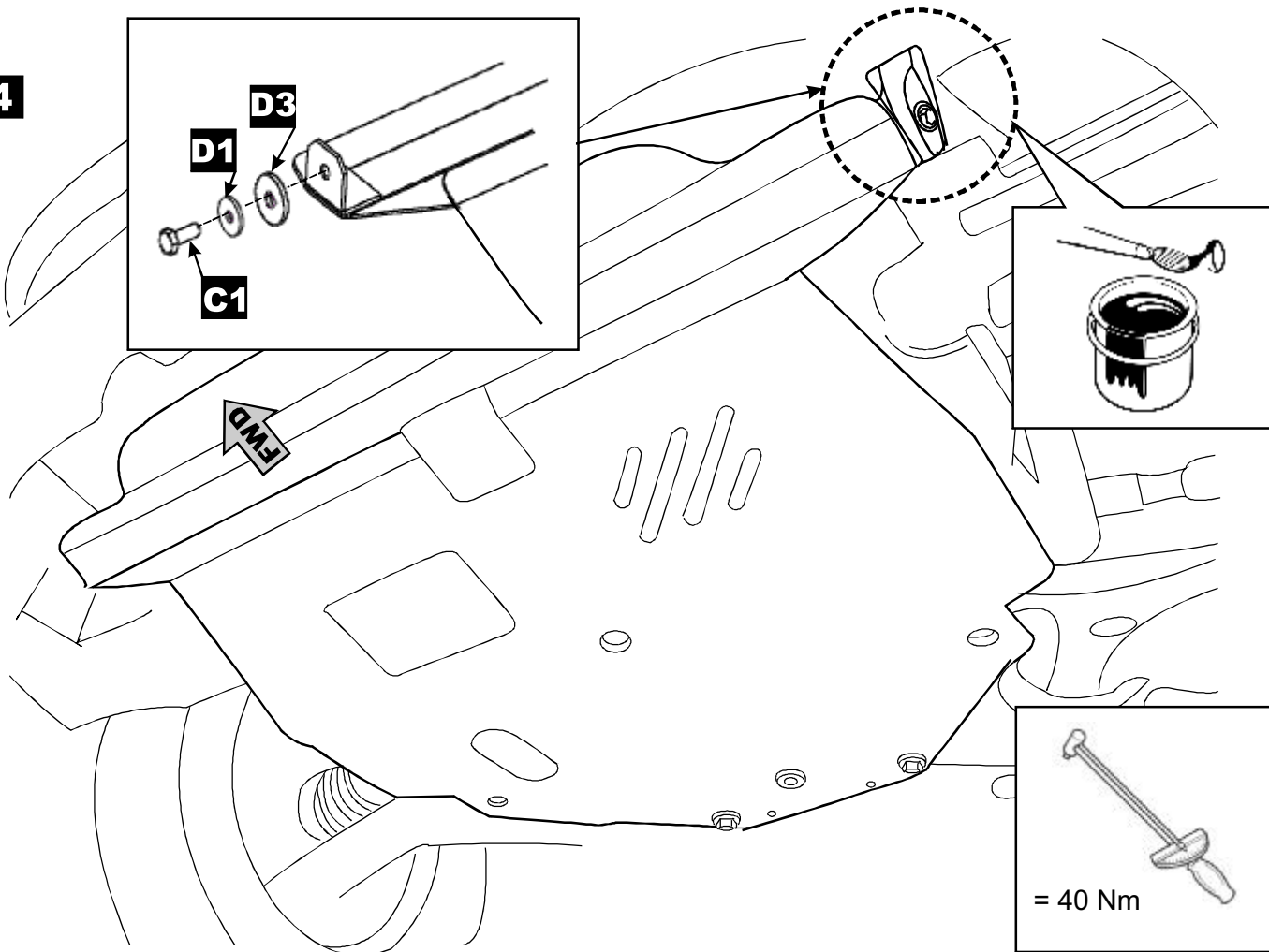
**2**



**3**



**4**



Part number:  
PZ4AL- 07430- 00

Issue:  
0

Date:  
19/12/06

Manual reference number:  
AIM 000-862-1

Page:  
4/4